

Specifications

MZ46C/MZ46CXT

Platform:

Working Height	46 ft. (14 m)
Platform Height	40 ft. (12.1 m)
Horizontal Reach	34 ft. (10.4 m)
Platform Capacity	500 lbs. (227 kg)

Dimensions:

Platform Size (Steel)	36 x 72 in. (0.91 x 1.8 m)
Overall Height (Stowed)	7 ft. 9 in. (2.36 m)
Overall Length	25 ft. 1-5/16 in. (7.57 m)
Overall Width	7 ft. 10 in. (2.39 m)
Wheelbase	8 ft. (2.44 m)
Turning Radius Outside (2W)	15 ft. (4.57 m)
Ground Clearance	10 in. (0.25 m)

Performance:

Speed	
2 Wheel Drive	4.0 mph (6.43 kph)
4 Wheel Drive	3.5 mph (5.6 kph)
Gradeability (Theoretical)*	
2 Wheel	30%
4 Wheel	50%
Tire Size	12 x 16.5 Loader Lug
Tire Fill	Air

Power Source:

Engine Make/Model	Ford LRG423
Engine Horsepower	60 hp (44.7 kW)
Fuel Tank Capacity	25 gal. (95 litres)

Hydraulics:

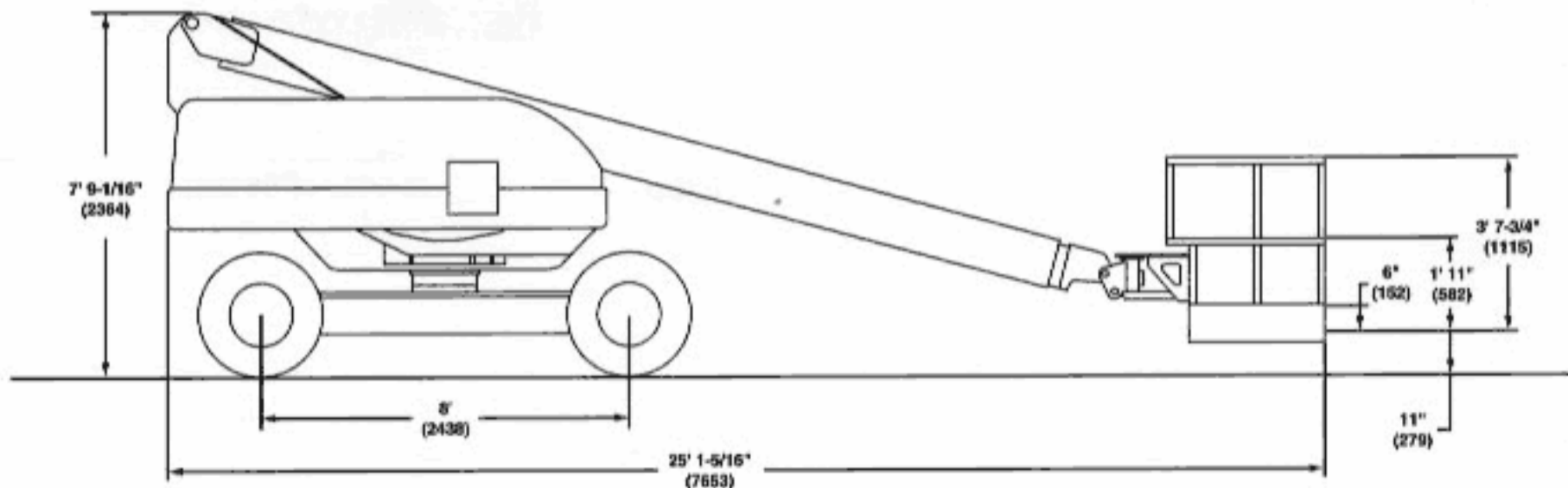
Reservoir Capacity	24 gal. (90.8 litres)
Hydraulic Pump Type	Axial Piston
Auxiliary Power	Std.

Shipping Information:

	MZ46C	MZ46CXT
Weight	12,900 lbs. (5851 kg)	13,700 lbs. (6214 kg)
Shipping Cube	1,508 cu. ft. (42.7 m ³)	1,508 cu. ft. (42.7 m ³)

* Published machine gradeability is theoretical. Machine to be in a stowed driving position. Always operate machine on a firm, level surface when elevated.

MZ46C



Specifications

MZ46C/MZ46CXT

Platform:

Working Height	46 ft. (14 m)
Platform Height	40 ft. (12.1 m)
Horizontal Reach	34 ft. (10.4 m)
Platform Capacity	500 lbs. (227 kg)

Dimensions:

Platform Size (Steel)	36 x 72 in. (0.91 x 1.8 m)
Overall Height (Stowed)	7 ft. 9 in. (2.36 m)
Overall Length	25 ft. 1-5/16 in. (7.57 m)
Overall Width	7 ft. 10 in. (2.39 m)
Wheelbase	8 ft. (2.44 m)
Turning Radius Outside (2W)	15 ft. (4.57 m)
Ground Clearance	10 in. (0.25 m)

Performance:

Speed	
2 Wheel Drive	4.0 mph (6.43 kph)
4 Wheel Drive	3.5 mph (5.6 kph)
Gradeability (Theoretical)*	
2 Wheel	30%
4 Wheel	50%
Tire Size	12 x 16.5 Loader Lug
Tire Fill	Air

Power Source:

Engine Make/Model	Ford LRG423
Engine Horsepower	60 hp (44.7 kW)
Fuel Tank Capacity	25 gal. (95 litres)

Hydraulics:

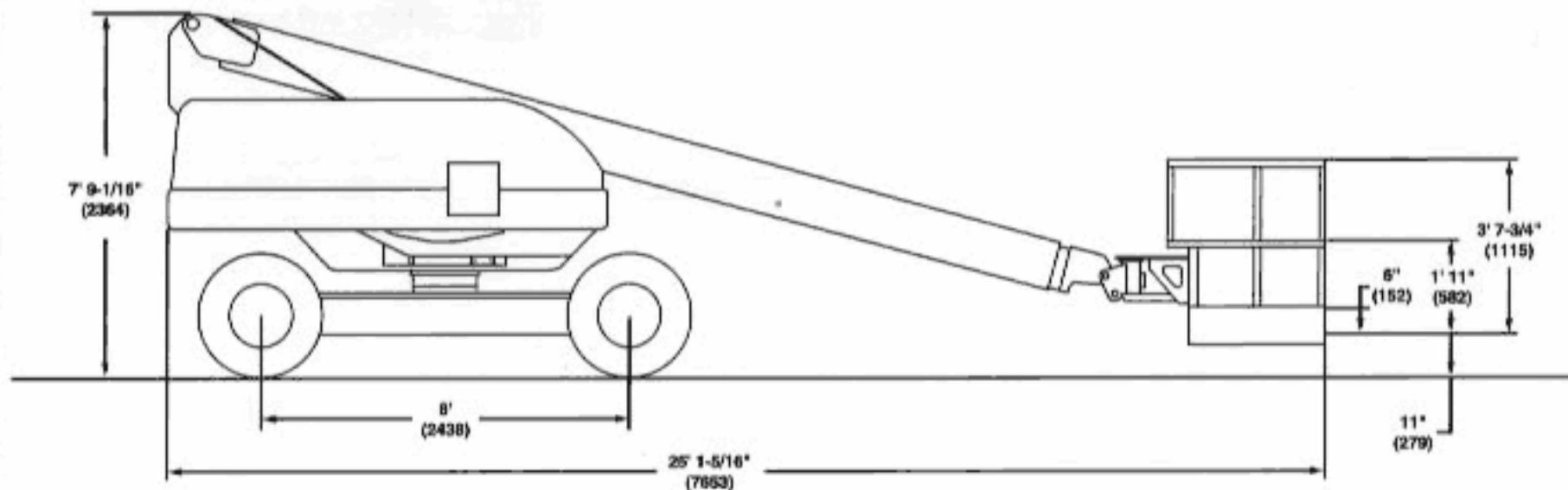
Reservoir Capacity	24 gal. (90.8 litres)
Hydraulic Pump Type	Axial Piston
Auxiliary Power	Std.

Shipping Information: MZ46C MZ46CXT

Weight	12,900 lbs. (5851 kg)	13,700 lbs. (6214 kg)
Shipping Cube	1,508 cu. ft. (42.7 m ³)	1,508 cu. ft. (42.7 m ³)

* Published machine gradeability is theoretical. Machine to be in a stowed driving position. Always operate machine on a firm, level surface when elevated.

MZ46C



MZ46C

RANGE DIAGRAM

